

NB2EDGKRM-7.62-XXP

接线端子-插头

额定电流: 15A

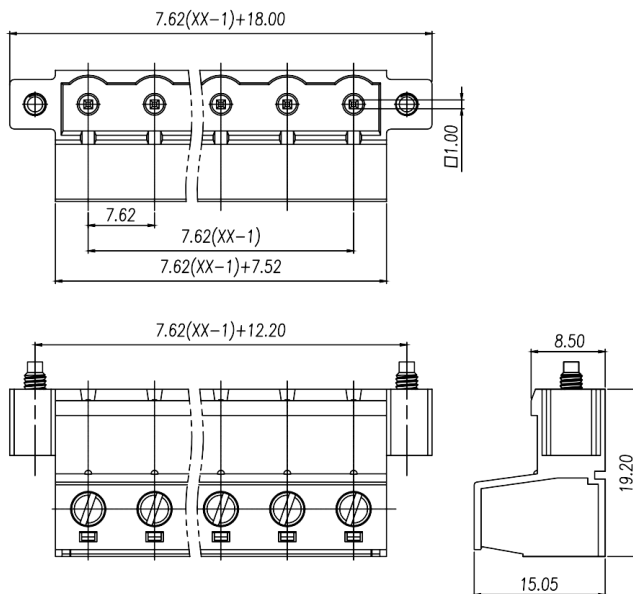
额定电压: 300 V

间距: 7.62 mm

使用线径: 28~12AWG

极数: 2P~24P

尺寸图 Dimensions



仅供参考，实际规格依产品工程图为准 版本2.0



技术数据-UL/CUL

| 等级 Use Group | B | C | D |
|----------------------------------|----------|---|------|
| 额定电压 Rate Voltage | 300V | - | 300V |
| 额定电流 Rated Current | 15A | - | 10A |
| 接线范围 Wire Range | 28~12AWG | | |
| 耐电压 Dielectric Voltage-Withstand | 1.6KV | | |

技术参数-IEC

| | | | |
|------------------------------------|------------------------|------|-------|
| 过电压类别 Overvoltage Category | III | III | II |
| 污染等级 Contamination Class | 3 | 2 | 2 |
| 额定电压 Rated Voltage | 400V | 630V | 1000V |
| 额定电流 Rated Current | 12A | 12A | 12A |
| 额定冲击电压 Impulse withstand voltage | 6KV | 6KV | 6KV |
| 导线截面积[硬/柔] Conductor cross section | 0.2~2.5mm ² | | |

材料 Material

| | |
|-------------------------------------|--------------|
| 绝缘材料 Insulation Material | PA66 |
| 阻燃等级 Flame retardant rating | UL94V-0 |
| 导体材料 Conductor Material | Copper alloy |
| 导体表面镀层 Plating of conductor surface | Sn plated |

一般参数 Other Data

| | |
|----------|--------|
| 间距 Pitch | 7.62mm |
|----------|--------|

| | |
|----------------------------|----------|
| 极数 Poles | 2P~24P |
| 剥线长度 Stripping Length | 7~8mm |
| 螺丝 Screw | M3 |
| 扭矩 Torque | 0.5 |
| 工作温度 Operating temperature | -40~+105 |
| 焊锡温度 Soldering temperature | / |
| 引针尺寸 Pin dimensions | / |
| PCB板孔径 PCB Hole Diameter | / |

商业数据

| | | | |
|------|--------------------|----|----|
| 产品型号 | NB2EDGKRM-7.62-XXP | | |
| 产品编号 | - | | |
| 包装方式 | 内袋 | 内盒 | 外箱 |



宁波佳绩机电科技有限公司 佳绩电子科技（宁波）有限公司

地址: 宁波市海曙区高桥镇新港路8号
邮编: 315000
总机: +86 574-55665696
传真: +86 574-55842261
邮箱: shangwu@nbjiaji.com

Ningbo jiaji Electronics Co.,Ltd
Address: No. 8 Xingang Road, Gaoqiao Town,
Haishu District, Ningbo City, Zhejiang Province
Zip code: 315000
Switchboard: +86 574-55665696
Fax: +86 574-55842261
E-mail: shangwu@nbjiaji.com